

CAPPA CAMINO

ISTRUZIONI DI MONTAGGIO

CHIMNEY HOOD

INSTALLATIONS INSTRUCTIONS

HOTTE CHEMINEE

INSTRUCTIONS DE MONTAGE

KAMIN-HAUBE

EINBAU-ANWEISUNGEN

CAMPANA DECORATIVA

INSTRUCCIONES DE USO

HOTE DA CHAMINÉ

INSTRUÇÕES DE MONTAGEM

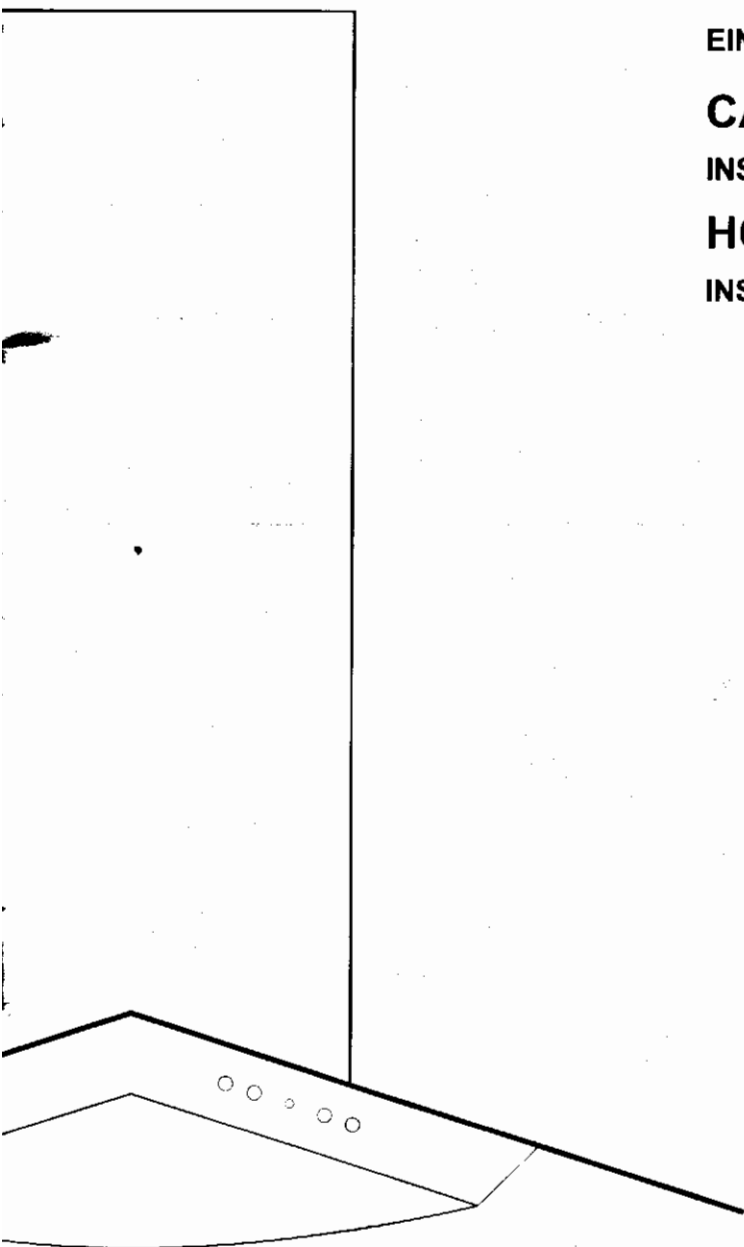


FIG. 1

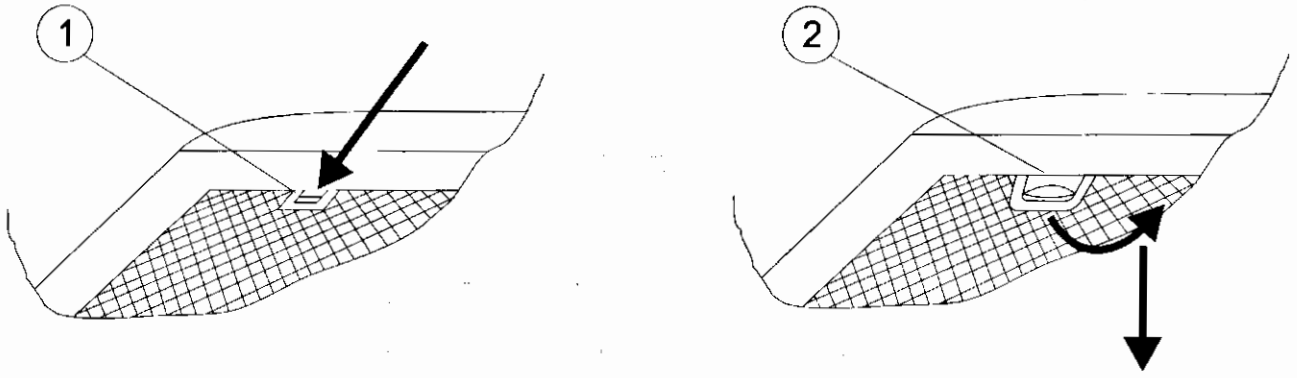


FIG. 2

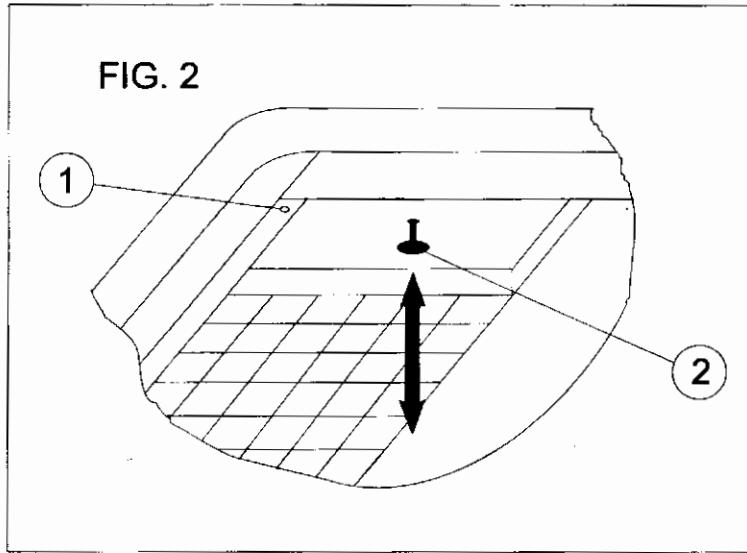


FIG. 3A

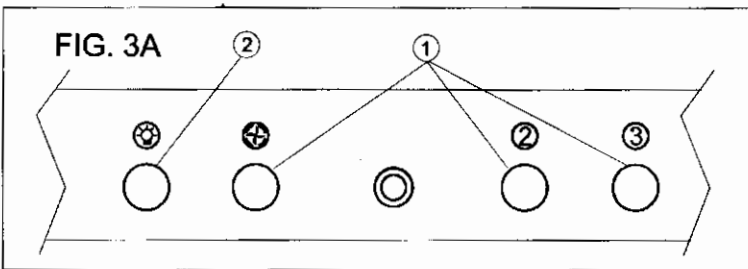


FIG. 3C (HI)

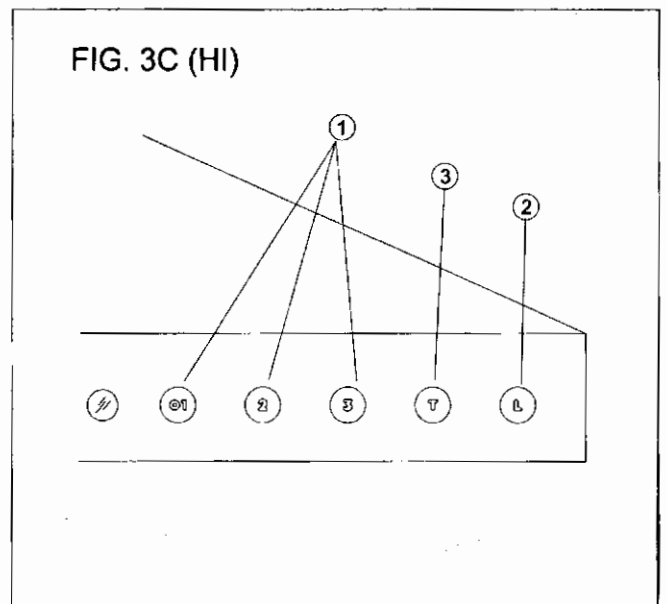


FIG. 3B (HR)

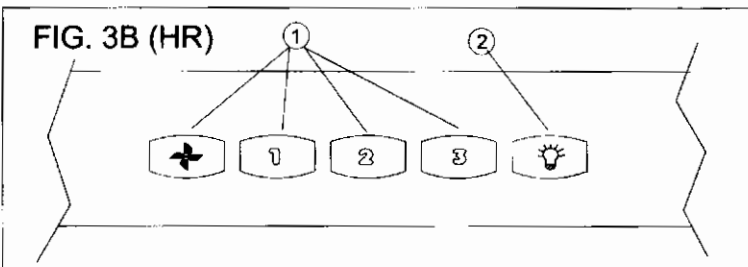


FIG. 4

169

STAFFA FISSAGGIO TUBI
TUBES FIXING BRACKET
BARRE DE FIXATION TUBES
BEFESTIGUNGSBÜGEL FÜR DIE SCHÄCHTE
SOPORTE DE SUJECIÓN DE LOS TUBOS
SUPORTE DE FIXAÇÃO DOS TUBOS

FORI FISSAGGIO BOX MOTORE
MOTOR BOX FIXING HOLES
TROUS FIXATION BOX MOTEUR
BEFESTIGUNG DES MOTORKASTEN
AGUJEROS DE FIJACIÓN DE LA CAJITA DEL MOTOR
FUROS DE FIXAÇÃO DO BOX DO MOTOR

FORI FISSAGGIO CAPPÀ Ø8mm
HOOD FIXING HOLES Ø8mm
TROUS DE PERÇAGE POUR LA HOTTE Ø8mm
SICHERUNGSLÖCHER FÜR DIE HAUBE Ø8mm
ORIFICIOS DE SUJECIÓN DE LA CAMPANA Ø8mm
FUROS DE FIXAÇÃO Ø8mm

MIN. 650

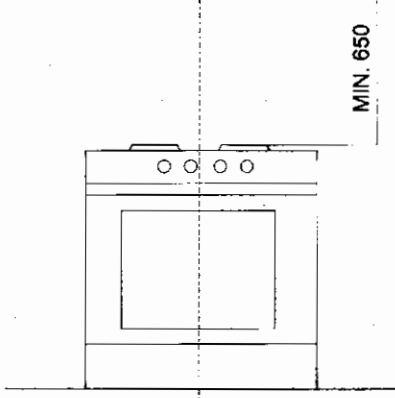


FIG. 5

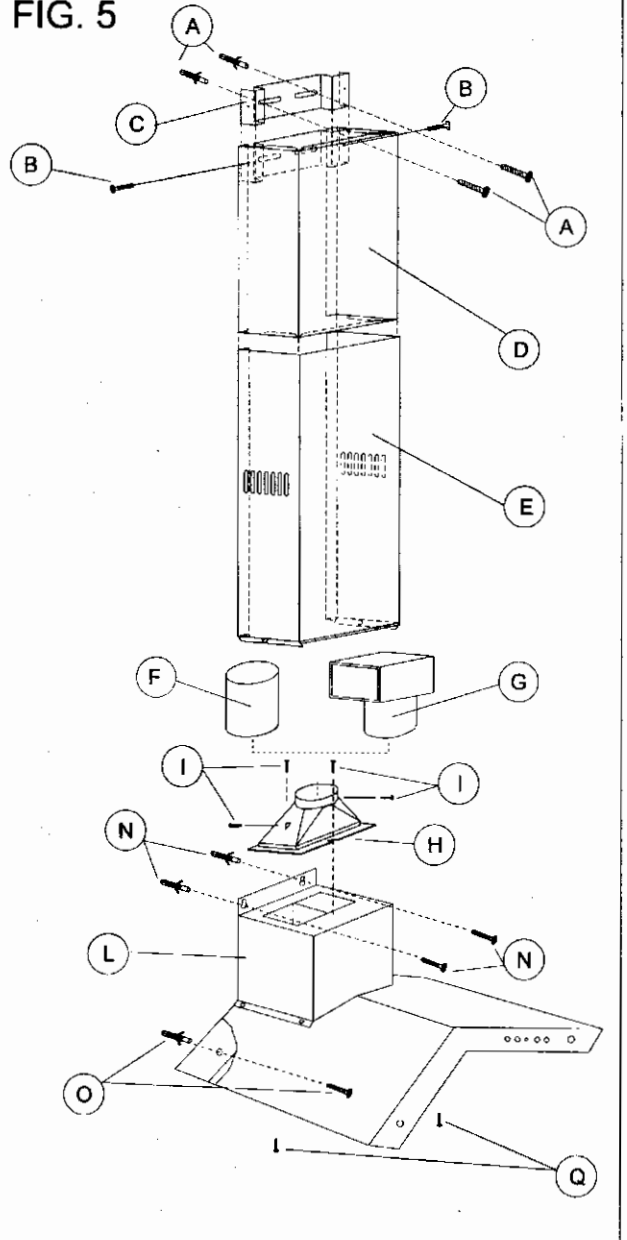
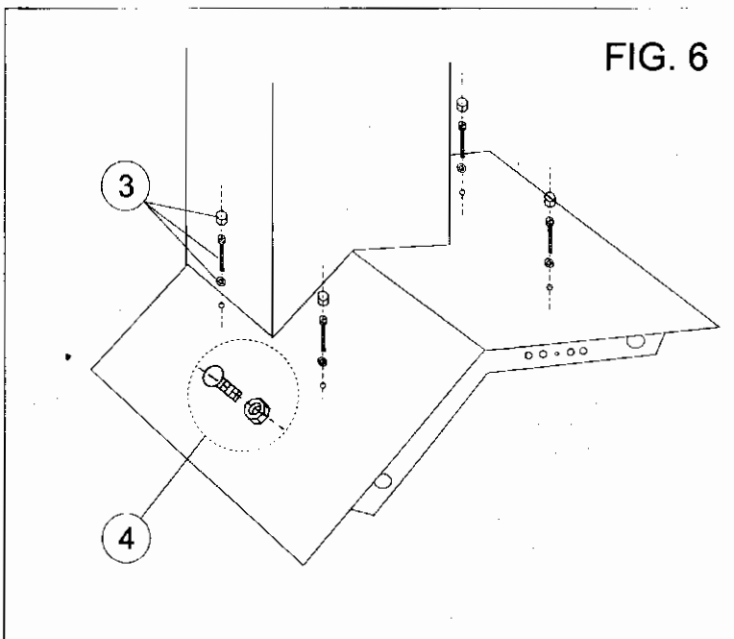


FIG. 6



Introduction

These instructions are designed to tell you of the various technical details of your cooker hood and to make you familiar with its use. Since these instructions cover more than one type of hood within the same series, it may be that references is made to components that do not form part of the hood that you are installing. The hood may be used as an exhaust or filter hood. If evacuation is available (exhaust duct or air flue) we recommend using the hood in the exhaust version to discharge all the kitchen vapors and odors out-doors. Fittings can vary from country to country. We reserve the right to modify the product without any notice always with the aim of improvements and in compliance with the relevant norm.

Suggestions for using the hood in exhaust position

When an exhaust hood and a heat source requiring ambient air (e.g. gas, oil, coal stoves, etc.) are used at the same time, attention is required because the air necessary for combustion is exhausted from the room through the hood and this creates depression. There is no such danger when the maximum depression in the room is 0,04 mbar. In this condition no exhaust gas from the heat source is piped. To assure this condition, make openings in the room which cannot be closed (doors, windows, etc. are not sufficient) and through which the air necessary for combustion can freely flow. **Note:**—All the exhaust ductwork in the apartment or house should be studied. In case of doubts, get advice or authorization from the person or agency responsible for the building. When using gas burners, gas ovens, etc. as well as when using the hood in the filter version, these precautions are not necessary. **N.B.** The efficiency of the exhaust hood decreases as the length of the ducts and number of elbows increase. When using the exhaust version, follow these rules: Do not connect the exhaust hood to chimneys, flues, and air ducts serving the room. Before venting into exhaust flues and ducts no longer in use, ask for the approval of the person or agency responsible for the building. The evacuated air must not be let into a warm air duct. For the evacuation of the exhausted air please note official instructions.

Installation

The hood must be mounted over the center of the cooking area. The minimum distances between the cooking area and the underpart of the hood are 650 mm.

Warning: If the room contains a flued fuel burning appliance which is not of the "balance flue" type make sure there is an adequate air inlet to the room at all times so that fumes are not drawn down the flue. **N.B.** The distances, however, are subject to the safety rules in effect in the various countries. Before drilling the wall make sure that no pipes or cables will be damaged. If there is no outer waste-pipe for the exhaust version, an air outlet with a diameter of 130 mm must be made through the wall.

Wall fixing of the cooker hood

- 1) Set the distance between the cooker hob and the hood (Pict. 4).
- 2) If your hood is fitted with a metal carbon filter frame the mounting operation can be made more easily by removing it by means of the screws (Pict. 2/1) before beginning to work. The frame must be remounted when the operation is finished.
- 3) Join the two parts of the spigot (Pict. 5/4) and fix it to the upper part of the motor group (Pict. 5/L) by means of the 4 screws (Pict. 5/L).
- 4) Drill the holes into the wall (Pict. 5/N) at the right distance shown here after, and fix the cookerhood (Pict. 4).
- 5) For a correct installation the hood is provided (in the rear side of its body) with one or two holes 8 mm diam. into which one or two wall fixing screws must be inserted.
- 6) For the exhaust version, please connect the flange to an outlet ducting of 125 mm diameter (Pict. 5/F). If the hood is in recirculating version the flange must be fixed to the connection piece, which is provided (Pict. 5/G). Insure that all parts are properly fixed and that it is impossible to touch moving parts.

N.B.: When using a 150mm air outlet, do not fasten the air outlet pipe with the screws, as this might cause the metal valve to malfunction.

N.B.: In the case of recirculation fitting, join the flange and the T joint provided with 2 screws at the point marked with a line on the flange; this must all be done before fixing the hood to the wall.

Installation of the pipes (valid for exhaust or filter version)

- 1) Fix the bracket (Pict. 5/C) with 2 plugs and screws (Pict. 5/A) in the required height for the pipe.
- 2) Screw the short pipe (Pict. 5/D) with 2 screws on the bracket (Pict. 5/B).
- 3) Insert the 2 nuts in the holes on the lower part of the long pipe. Put the long pipe over the short one (Pict. 5/E) by pulling a part the laterals of the pipe.
- 4) Fix the long pipe with 2 screws on the hood (Pict. 5/Q).

Attention: The panel should be fitted (if supplied) over the body after installation and fixed from the outside using the special screws, washer and cover provided (Fig. 6/3). Some models could be supplied only with 2 external and 2 internal fixingpoints with relevant nuts (Fig. 6/4). The crystal cover panels are only fixed from the outside.

Electric connection

Make sure the supply voltage ratings correspond with those stated on the appliance data plate.

Attention: if the appliance is not provided with a plug or cannot be easily connected to a wall socket, then the electrical circuit must incorporate a circuit breaker having at least a 3 mm separation between contacts. If the appliance is provided with a supply cord and plug, the appliances must be positioned so that the plug is accessible.

Attention: if there are three wires in the electrical supply cable they must be connected as follows:

green/yellow = ground — blue = neutral — brown = line

Important: the hood manufacturer will not be responsible for any damage or loss caused by failure to observe these instructions.

Important: a damaged power supply cord must be replaced by the service.

Using the cooker hood

The cooker hood should be switched on either before or at the same as cooking or frying commences. The grease and carbon filters are more effective if the fan is not switched off immediately after cooking or frying is completed, but only after a period of some 20-30 minutes. Before using the cooker hood please ensure that all plastic films like on metal grease filter or a stainless steel ducting are removed.

User instructions

The cooker hood could be supplied with different operation panels (Fig. 3A-3B-3C) that works in the following way:

Mechanical Switches (slide or pushbutton-Fig.3A)

1 - Speed Switch 2 - Light Switch

Back Lit Switches HR (Fig.3B)

→ - Main Switch 1-2-3 Speed Switches 2 - Light Switch

The Timer will run if any speed switch is pushed for more than 3 seconds and will stop running the cooker hood after 5 minutes.

Multicolour Switches HI (Fig.3C)

0/1-2-3 Speed Switches L - Light Switch T - Timer

The Timer will run if the timer switch is pushed and will stop running the cooker hood after 5 minutes.

Operation light and function of saturation indication for the filters

HI (Fig. 3C) - The saturation of the grease filter will be indicated by the operation LED. By switch off cooker hood and pushing the bottom T the operation LED will indicate different colours with following meanings:

Green Light: less than 6 working hours

Yellow Light: between 6 and 12 working hours

Red Light: more than 12 working hours (the grease filter should be cleaned or eventual changed)

HR (Fig. 3B) - The saturation of the grease filter will be indicated automatically after 20 hours by means with flashing of the running speed of the cooker hood. That mean the grease filter should be cleaned or eventual changed.

It is as well possible to select manual the degree of saturation. By switch off cooker hood and pushing the bottoms 1 and 3 temporary for more than 2 seconds:

- No flashing light of the bottom: less than 6 working hours

- Flashing light of bottom 1: between 6 and 12 working hours

- Flashing light of bottom 1 and 2: between 12 and 18 working hours

- Flashing light of bottom 1, 2 and 3: more than 18 working hours

After you have cleaned or eventual changed the grease filter you should reset the timer by means pushing the main switch for more than 2 seconds. If the Timer will not by reset manual the electronic will reset after 15 minutes automatically the Timer.

If your cooker hood is supplied with a charcoal filter and is running in the filtering method the saturation of the charcoal filter will be indicated. After 120 hours all buttons except the main switch will flashing and the charcoal filter should be

replaced.

It is as well possible to select manual the degree of saturation. By switch off cooker hood and pushing the bottoms 2 and 3 temporary for more than 2 seconds:

- No flashing light of the bottom: less than 30 working hours

- Flashing light of bottom 1: between 30 and 60 working hours

- Flashing light of bottom 1 and 2: between 60 and 110 working hours

- Flashing light of bottom 1, 2 and 3: more than 110 working hours

After you have replaced the charcoal filter you should reset the timer by means pushing the main switch for more than 2 seconds. If the Timer will not by reset manual the electronic will reset after 15 minutes automatically the Timer.

Setting from Exhaust method into Filtering method (only for model HR - Fig.3B)

To get an efficiency aspiration the cooker hood could work in 2 different methods - Exhaust / Filtering. By setting the cooker hood into the proper method the electronic will adjust automatically the fan speed to the air resistance of the charcoal filter.

Exhaust Method: By switch off cooker hood and pushing the bottom 1 for more than 3 seconds the cooker hood will set to the exhaust method - confirm by flashing all buttons for 4 times.

Filtering Method: By switch off cooker hood and pushing the bottom 2 for more than 3 seconds the cooker hood will set to the filtering method - confirm by flashing all buttons for 8 times.

Note: The cooker hood is set from the factory into the Exhaust method.

Operation light and function of saturation indication for the filters

HI (Fig. 3C) - The saturation of the grease filter will be indicated by the operation LED. By switch off cooker hood and pushing the bottom T the operation LED will indicate different colours with following meanings:

Green Light: less than 6 working hours

Yellow Light: between 6 and 12 working hours

Red Light: more than 12 working hours (the grease filter should be cleaned or eventual changed)

HR (Fig. 3B) - The saturation of the grease filter will be indicated automatically after 20 hours by means with flashing of the running speed of the cooker hood. That mean the grease filter should be cleaned or eventual changed.

It is as well possible to select manual the degree of saturation. By switch off cooker hood and pushing the bottoms 1 and 3 temporary for more than 2 seconds:

- No flashing light of the bottom: less than 6 working hours

- Flashing light of bottom 1: between 6 and 12 working hours

- Flashing light of bottom 1 and 2: between 12 and 18 working hours

- Flashing light of bottom 1, 2 and 3: more than 18 working hours

After you have cleaned or eventual changed the grease filter you should reset the timer by means pushing the main switch for more than 2 seconds. If the Timer will not by reset manual the electronic will reset after 15 minutes automatically the Timer.

If your cooker hood is supplied with a charcoal filter and is running in the filtering method the saturation of the charcoal filter will be indicated. After 120 hours all buttons except the main switch will flashing and the charcoal filter should be replaced.

It is as well possible to select manual the degree of saturation. By switch off cooker hood and pushing the bottoms 2 and 3 temporary for more than 2 seconds:

- No flashing light of the bottom: less than 30 working hours

- Flashing light of bottom 1: between 30 and 60 working hours

- Flashing light of bottom 1 and 2: between 60 and 110 working hours

- Flashing light of bottom 1, 2 and 3: more than 110 working hours

After you have replaced the charcoal filter you should reset the timer by means pushing the main switch for more than 2 seconds. If the Timer will not by reset manual the electronic will reset after 15 minutes automatically the Timer.

Setting from Exhaust method into Filtering method (only for model HR - Fig.3B)

To get an efficiency aspiration the cooker hood could work in 2 different methods - Exhaust / Filtering. By setting the cooker hood into the proper method the electronic will adjust automatically the fan speed to the air resistance of the charcoal filter.

Exhaust Method: By switch off cooker hood and pushing the bottom 1 for more than 3 seconds the cooker hood will set to the exhaust method - confirm by flashing all buttons for 4 times.

Filtering Method: By switch off cooker hood and pushing the bottom 2 for more than 3 seconds the cooker hood will set to the filtering method - confirm by flashing all buttons for 8 times.

Note: The cooker hood is set from the factory into the Exhaust method.

Lamp Replacement

To changes incandescent bulbs please work from outside of the hood means to pull off the lamp diffuser. If it has a halogen lamp look out not to touch it with your hands when you replace it. Use a dry and not greasy protection (for example a cloth) in order to avoid a direct contact with skin which could make the lamp break. Never use lamps with a wattage higher than the one shown on the label inside the hood.

Safety rules

Do not do any flame cooking underneath the hood. When frying, never leave the pan alone because the cooking oil could flare up. Clean all the surfaces frequently to avoid danger of fire. This can be done with a cloth or/and with a brush drenched with denatured alcohol or with any other similar substances, except for the button area (Fig. 3). It is also important to remove and clean or substitute frequently the filter installed in the hood.

Maintenance

NOTE: Prior to any maintenance, switch off and disconnect from electrical supply.

1) Under normal cooking conditions the grease filter should be cleaned every 10-15 days in hot water, to which a suitable detergent has been added. For reasons of efficiency and safety regular cleaning is advised. The grease filter may be subject to a small amount of shrinkage initially.

2) The outer casing of the Cooker Hood should be cleaned with a damp cloth.

3) The effective life of the carbon filter will naturally depend on the frequency and type of cooking fumes to which it is subject. As general guide we suggest that a replacement is fitted at least every 12 months.

4) Once a year, (more frequently with heavy usage), call a serviceman to clean the fan and air ducts to prevent build-up of flammable fat deposits.

The carbon filter

When a carbon filter is fitted, the air that is sucked in is additionally cleaned by the active carbon particles within the filter. This filter cannot be cleaned and so needs to be replaced from time to time, approximately every six months, depending on how frequently the hood is in use.

Replacing the active carbon filter

(only for recirculation hoods)

The filter can be easily removed by pulling downwards the two knobs (Pict. 2/2).

Grease filter

This absorbs vapor-suspended grease particles and protects the kitchen and furniture from greasy residues. The filter should be washed every 10 to 15 days (in normal operating conditions). Dip the filter into a de-greaser solution or put in the dish washer. Make sure not to damage the filter, which is made of several layers of thin alloy, by hitting or crushing it. The aluminium filter will may change colour, that will have no influence of the efficiency of the filter, may it will improve it.

Replacing or cleaning the filters

Just push the handle towards the rear, proceed with the cleaning and repeat the operation counterclockwise (Pict. 1/1). To remove the aluminium grease filter (Pict. 1/2), grab the opening tongue at the filter, pull it in your direction and move the filter downwards. To reinstall it operate reversed.

Safety Requirements

Exhaust air must not be discharged into any chimney, or flue which may carry combustion products from other sources. In addition, exhaust air must not be discharged into a wall cavity unless designed for the purpose. Note instructions for cleaning fan as note «4» on «MAINTENANCE». Moreover it is important to clean regularly each filter of the hood or replace it.